



K. S. R. M. COLLEGE OF ENGINEERING

(UGC-AUTONOMOUS)

Kadapa, Andhra Pradesh, India – 516 005

Approved by AICTE, New Delhi & Affiliated to JNTUA, Ananthapuramu.

An ISO 14001:2004 & 9001:2015 Certified Institution



KSNR
lives on..

7.1.2 – Geotagged Photos Wheeling to the Grid –



Wheeling to the Grid

[Signature]
IQAC

Co-ordinator

Internal Quality Assurance Cell (IQAC)

KSRM College of Engineering

Kadapa - 516 003

[Signature]
Principal

PRINCIPAL

K.S.R.M. COLLEGE OF ENGINEERING
KADAPA-516005 (A.P)



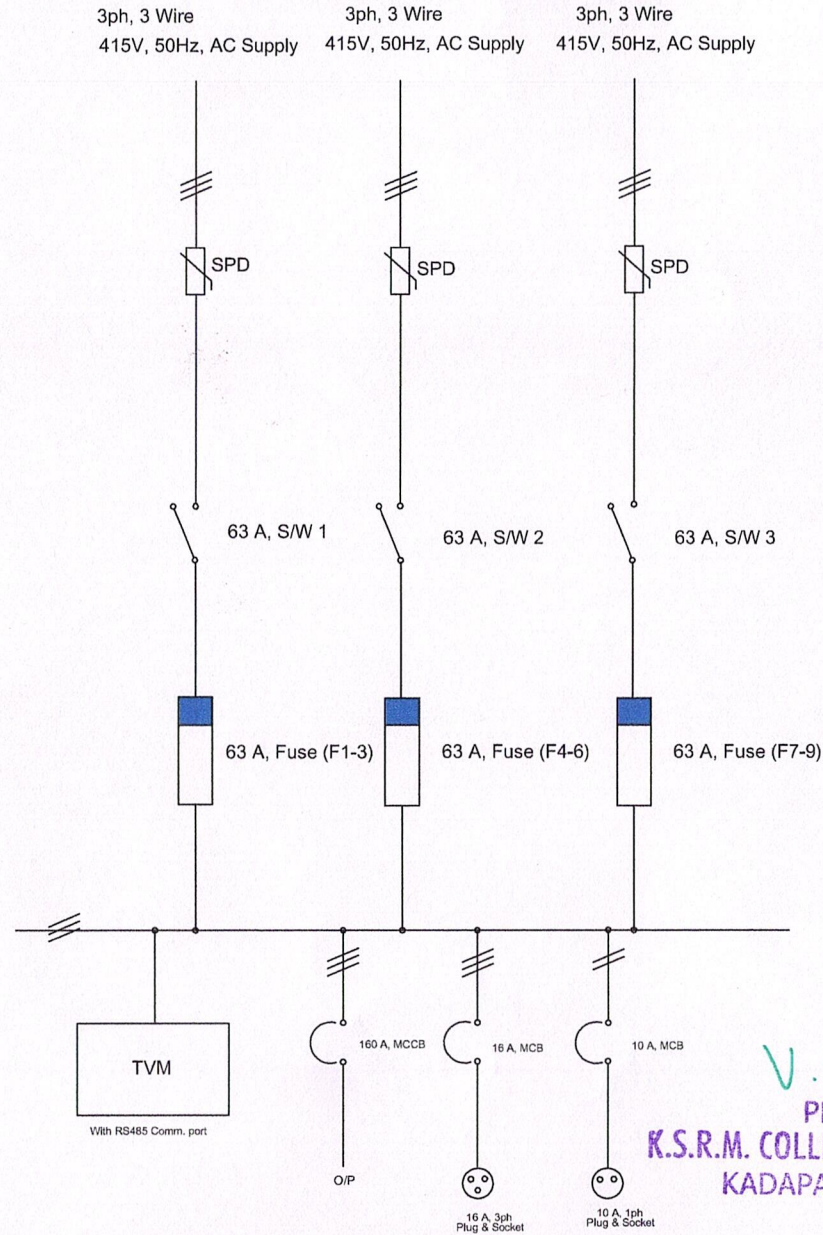
/ksrmce.ac.in

Follow Us:



/ksrmceofficial

Single Line Diagram of AJB Panel (SJ Block)



[Signature]
Co-ordinator

Internal Quality Assurance Cell (IQAC)
KSRM College of Engineering
Kadapa - 516 003

[Signature]
PRINCIPAL

K.S.R.M. COLLEGE OF ENGINEERING
KADAPA-516005 (A.P)

REV. No.	DESCRIPTIONS	DRAWN		CHECKED		APPROVED	
		INITIAL	DATE	INITIAL	DATE	INITIAL	DATE
0	SLD of AJB Panel	MPB	11.05.15	DBK	11.05.15	PKP	11.05.15
CLIENT NAME: KORM ENGG. COLLEGE, KADAPA PROJECT NAME: 102 KW ROOF TOP PROJECT AT KADAPA CONSULTANT NAME: N/A PROJECT CODE: 1415006 SUPPLIER/CONTRACTOR: N/A SCALE: NTS PROJECTION: --- DRAWING TITLE: SINGLE LINE DIAGRAM OF AJB DRAWING No. RFX-KSRM-KAD-1415006-ED002 SHEET SIZE: A3 REV. No.: 0							
RELEASED FOR: <input type="checkbox"/> Preliminary <input type="checkbox"/> Information <input type="checkbox"/> Tender <input type="checkbox"/> Approval <input type="checkbox"/> Instructions							

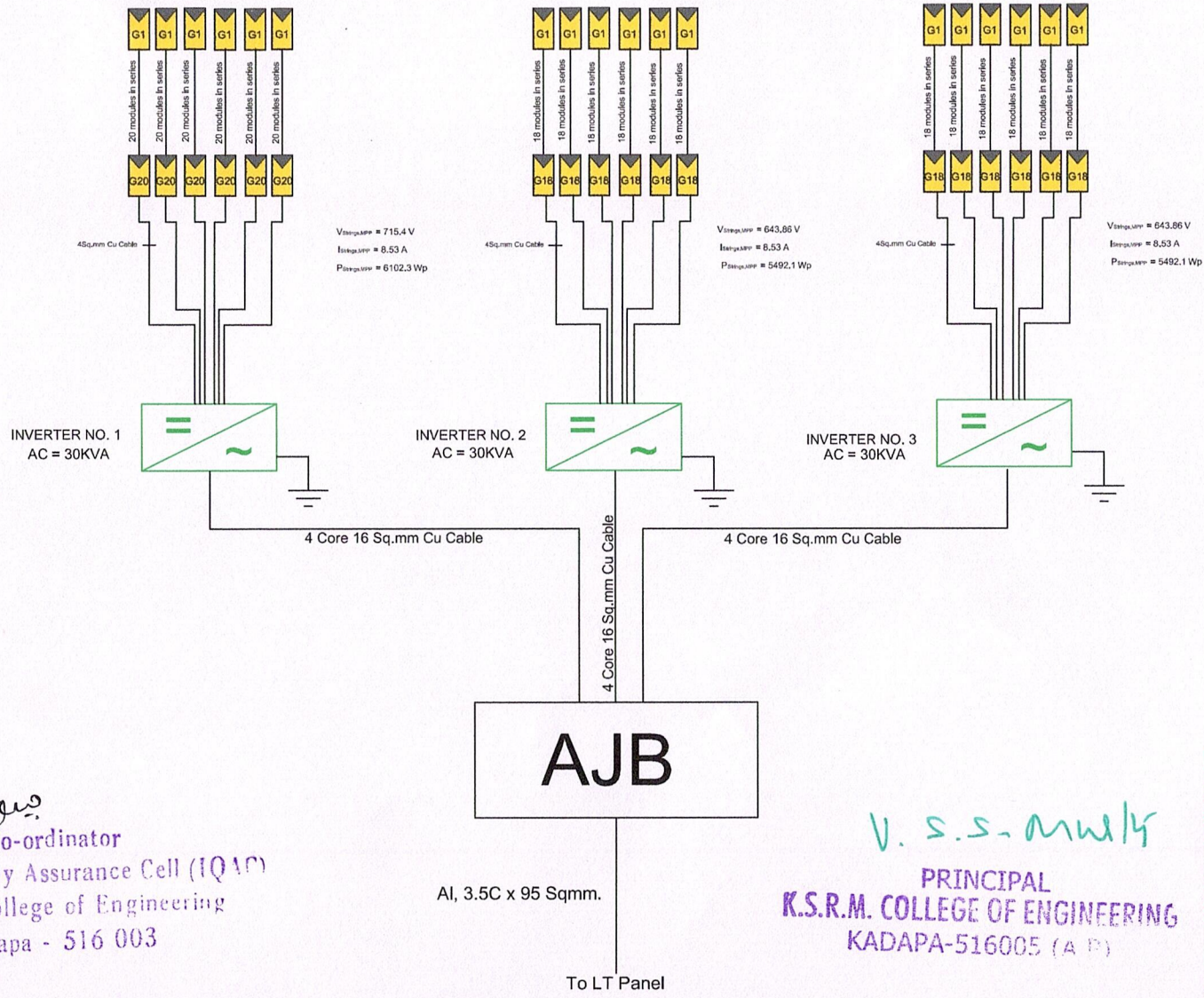
102 kW SOLAR ROOFTOP PLANT AT KSRM ENGG. COLLEGE KADAPA

Modules Capacity : 101.9 kWp

Connection:
 INVERTER NO. 1 - 6 Strings X 20 Modules of 305Wp in series
 INVERTER NO. 2 & 3 - 6 Strings X 18 Modules of 305Wp
 Total No. of Delta Energy 30TL Inverters = 03 Nos.

Inverters:
 Delta (RPI M30)
 Nominal Output Power : 30 KVA
 Max. Input Power : 38 kWp
 Max. DC Voltage : 1000 V
 Voltage Range MPP : 480 - 800 V
 Max DC Current : 68 A

Solar Module :-
 Astroenergy CHSM6612P : 305 Wp
 Nominal Power : 305 W
 Voltage at MPP : 35.77 V
 Current at MPP : 8.53 A
 Open Circuit Voltage : 45.29 V
 Short Circuit Current : 8.95 A



Co-ordinator
Internal Quality Assurance Cell (IQAC)
 KSRM College of Engineering
 Kadapa - 516 003

AI, 3.5C x 95 Sqmm.

AJB

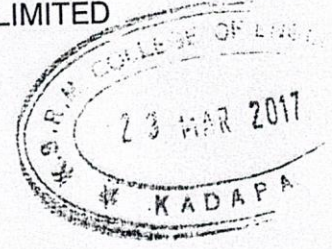
To LT Panel

V. S. S. MULLU
PRINCIPAL
 K.S.R.M. COLLEGE OF ENGINEERING
 KADAPA-516005 (A.P.)

REV. No.	DESCRIPTIONS	DRAWN	CHECKED	APPROVED
0	SLD	MPB	15.05.15	DBK
1	REV SLD	MPB	30.05.15	AC
				PKP
				30.05.15

EPC BY:			<small>Reflex Energy Limited 22/24, 2nd Floor, 1st Stage, Kadapa-516 005 Tel: 0834-261111 Fax: 0834-261111 www.reflexenergy.com</small>
CLIENT NAME: KSRM ENGG. COLLEGE KADAPA		PROJECT CODE: 1415006	
PROJECT NAME: 102 KW ROOF TOP PROJECT AT KADAPA		SUPPLIER/CONTRACTOR: N/A	
CONSULTANT NAME: N/A		SCALE: NTS	
DRAWING TITLE: SINGLE LINE DIAGRAM OF SYSTEM		PROJECTION: ---	
DRAWING No. REF-KSRM-KAD-1415006-ED101		SHEET SIZE: A3	REV. No. 1
RELEASED FOR:		<input checked="" type="checkbox"/> Preliminary	<input type="checkbox"/> Information
		<input type="checkbox"/> Tender	<input checked="" type="checkbox"/> Approval
		<input type="checkbox"/> Construction	

SOUTHERN POWER DISTRIBUTION COMPANY OF A.P LIMITED
VIDYUTH BHAVAN :: KADAPA



From

The Superintending Engineer,
Operation :: APSPDCL,
KADAPA

To

The Chief Engineer,
Zone :: APSPDCL,
TIRUPATI

Lr.No.SE/O/KDP/DE.T/AE.T/AE/Comml SBE.I/ F.Doc /D. No.403/17,Dt.16/03/2017.

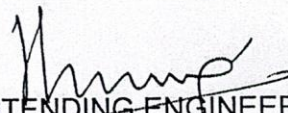
Sir,

Sub:-ElecY-APSPDCL-Kadapa- Synchronization of 204 KWP Solar Power Plant of K.S.R.M.College of Engineering, Kadapa at Tadigotla(V),C.K.Dinne (M) to the H.T S.C No.CDP-097 in Operation Section , C.K.Dinne – Synchronization Report- Submitted-Reg.

Ref:- Lr.No.DE/M&P/KDP/AE/T/F./D.No.493/17,Dt.04.03.2017

In the reference cited above the Divisional Engineer, M&P, Kadapa has submitted that K.S.R.M.College of Engineering, Kadapa at Tadigotla(V), C.K.Dinne(M) to the H.T S.C No.CDP-097 in Operation Section, C.K.Dinne has been installed 204 KWP Solar Roof Top Power Plant and Synchronized to the Grid on 25.09.2016 at 11 KV Potential are herewith submitted for information and necessary action please.

Encl:- As above.


SUPERINTENDING ENGINEER,
OPERATION :: KADAPA.

Copy to the K.S.R.M. College of Engineering, Kadapa at Tadigotla (V), C.K.Dinne (M)
Copy to the Divisional Engineer / Operation / Kadapa
Copy to the Divisional Engineer / M&P / Kadapa
Copy submitted to the Chief General Manager / P&MM / APSPDCL / Tirupathi.
Copy to Stock file

To
Sri MBR
MM

SOUTHERN POWER DISTRIBUTION COMPANY OF A.P LTD

From,

The Divisional Engineer,

Meters & Protection,

Kadapa

To,

The Superintending Engineer,

Operation Circle,

Kadapa.

Lr.No.DE/M&P/KDP/AE-T/F. /D.No.128/18, Dt.27-03-2018

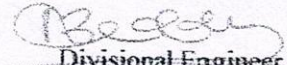
Sir,

**Sub:- SPDCL-M&P Division, Kadapa – Synchronizing Report of HT SC No.CDP097
Category – II , Kadapa – Report Submitted – Regarding.**

HT SC No.CDP 097, Category – II Principal. K.S.R.M. College of Engineering, Kadapa
has been installed Solar Roof Top 50 Kwp with Transformer capacity of 200 KVA.

This Solar Roof Top Was synchronization on 02.03.2018 and Grid Connected to this
same day.

This is for your kind information please.


Divisional Engineer,

Meters & Protection:: Kadapa

Copy Submitted to the Chief engineer/Zone/Tirupati