



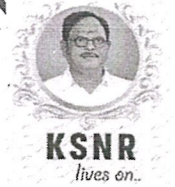
K.S.R.M. COLLEGE OF ENGINEERING

(UGC-AUTONOMOUS)

Kadapa, Andhra Pradesh, India- 516 005

Approved by AICTE, New Delhi & Affiliated to JNTUA, Ananthapuramu.

An ISO 14001:2004 & 9001: 2015 Certified Institution



Lr./KSRMCE/Department of ME/2021-22/

Date: 13-09-2021

To,
The Principal,
K.S.R.M. College of Engineering,
Kadapa.

Respected Sir,

//THROUGH PROPER CHANNEL//


Sub:KSRMCE-Department of ME-Permission and Financial Assistance for AUTO CAD HAKATHON -
Requested-Reg.

It is Brought to Your Kind Notice that, Department of Mechanical Engineering of our organization was planning to conduct a Two day HAKATHON ON AUTOCAD for V sem Students of the department. Details of syllabus, students registered and schedule are over leafed for your kind reference. In this Regard we Kindly request you to Provide Permission and Financial Assistance to procure the needs and for smooth completion of the program, for which kind of act we would be grateful to you sir.

Thanking you

Yours Faithfully,


Sri B.SRIHARI


Sri S. Mahaboob Khan

(Course Coordinators Dept of ME)

Forwarded to
Principal Sir
W. J. J. J. J.

Permitted
V.S.S. Mue/5

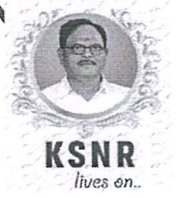


K.S.R.M. COLLEGE OF ENGINEERING (UGC-AUTONOMOUS)

Kadapa, Andhra Pradesh, India- 516 005

Approved by AICTE, New Delhi & Affiliated to JNTUA, Ananthapuramu.

An ISO 14001:2004 & 9001: 2015 Certified Institution



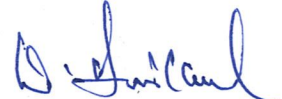
Date: 14/09/2021

Cr ./KSRMCE/(ME./ACADAMICS)/2021-22/

DEPARTMENT OF MECHANICAL ENGINEERING

CIRCULAR

It is here by informed to all 3rd year mechanical engineering students that the department is going to organize a two day HAKATHON ON AUT CAD from 17/9/2021 to 18/9/2021. Hence all the interested students are requested to enroll their names with the coordinator S.MAHABOOB KHAN.


HOD



K.S.R.M. COLLEGE OF ENGINEERING

(UGC - Autonomous)

Kadapa, Andhra Pradesh, India- 516 003

Approved by AICTE, New Delhi & Affiliated to JNTUA, Ananthapuramu.

Department of Mechanical Engineering



KSNR
lives on..

HACKATHON

Topic: AUTO CAD

Venue:

Engineering Graphics & Design Lab

Coordinators

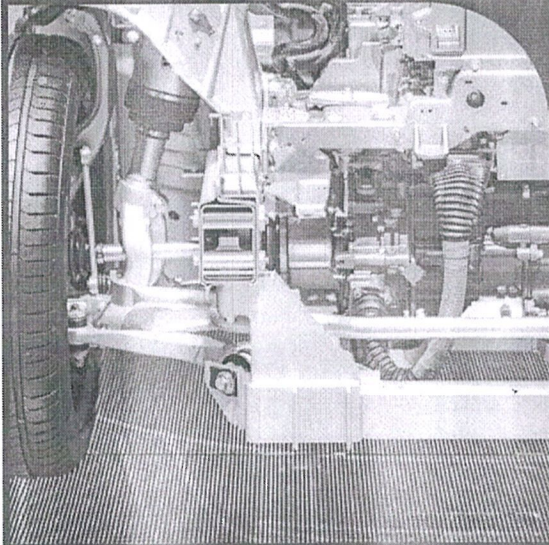
B.SRIHARI Asst.professor

S.MAHABOOB KHAN Asst.professor



Date&Time

17-09-2021 to 18-9-2021
10:00 A.M to 12:00 Noon
2:00 P.M to 4:00 P.M



DR.D.RAVIKANTH
HOD

DR. V.S.S. MURTHY
(Principal)

PROF. A. MOHAN
(Director)

SRI. K. CHANDRA OBUL REDDY
(Management Member)

SMT. K. RAJESWARI
(Correspondent, Secretary, Treasurer)

SRI K. MADAN MOHAN REDDY
(Vice-chairman)

SRI. K. RAJA MOHAN REDDY
(Chairman)

f i t ▶ **kstrmceofficial**

☎ **8143731980, 8575697569**



K.S.R.M. COLLEGE OF ENGINEERING

(UGC-AUTONOMOUS)

Kadapa, Andhra Pradesh, India- 516 005

Approved by AICTE, New Delhi & Affiliated to JNTUA, Ananthapuramu.

An ISO 14001:2004 & 9001: 2015 Certified Institution



ACTIVITY REPORT

AUTO CAD HACKATHAN

17 & 18TH SEP 2021

- Target Group** : V sem Mechanical students
Details of Participants : 41
- Coordinator(s)** : Sri. B. SriHari
Sri . S.Mahaboob Khan
- Organizing Department** : Mechanical Engineering
Plat Form : Off line
Venue : Engineering Graphics and Design Lab
- Description** :

Learning to use a CAD system is similar to learning a new language. It is necessary to begin with the basic alphabet and learn how to use it correctly and effectively through practice. This will require learning some new concepts and skills as well as learning a different vocabulary. Today, the majority of the Mechanical CAD systems are capable of creating three-dimensional solid models. Nonetheless, all CAD systems create designs using basic geometric entities and many of the constructions used in technical designs are based upon two-dimensional planar geometry. The method and number of operations that are required to accomplish the basic planar constructions are different from one system to another. AutoCAD provides many different ways to accomplish the same task. For example, to activate a command, you can select it from a menu or a toolbar, or type the command name at AutoCAD's command prompt. There is no right or wrong way to do something in AutoCAD. You will develop techniques that you find most comfortable for the way you work and the types of drawings you create.

You may want to customize AutoCAD for your particular needs. There are also many common drafting tasks that can be automated by using scripts and macros, or by writing or purchasing add-on applications that run inside AutoCAD, tailoring the program for specific drafting and design disciplines. In this we illustrate AutoCAD objects line, circle, rectangle, arc, ellipse, and polygon, by drawing different shapes and apply the three methods of coordinate system and compare between them: Absolute Coordinate System, Relative Coordinate System and Polar Coordinate System.



K.S.R.M. COLLEGE OF ENGINEERING (UGC-AUTONOMOUS)

Kadapa, Andhra Pradesh, India- 516 005

Approved by AICTE, New Delhi & Affiliated to JNTUA, Ananthapuramu.

An ISO 14001:2004 & 9001: 2015 Certified Institution



them: Absolute Coordinate System, Relative Coordinate System and Polar Coordinate System.

List of Contents

Chapter 1: AutoCAD Interface

Chapter 2: Basic Objects in AutoCAD

Chapter 3: Modify Commands in AutoCAD

Chapter 4: Layers-

Chapter 5: Animation in AUTOCAD

Chapter 6: Solved Examples

Conclusions

References



K.S.R.M. COLLEGE OF ENGINEERING

(UGC - Autonomous)

Kadapa, Andhra Pradesh, India- 516 003

Approved by AICTE, New Delhi & Affiliated to JNTUA, Ananthapuramu.

Department of Mechanical Engineering



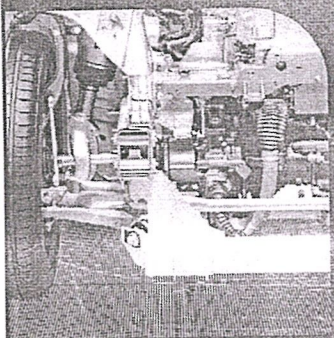

HACKATHON

Topic: AUTO CAD

Venue:
Engineering Graphics & Design Lab

Coordinators
B.SRIHARI Asst.professor
S.MAHABOOB KHAN Asst.professor

Date&Time
17-09-2021 to 18-9-2021
10:00 A.M to 12:00 Noon
2:00 P.M to 4:00 P.M



DR.D.RAVIKANTH (HOD)
DR. V.S.S. MURTHY (Assistant Prof.)
PROF. A. MOHAN (Director)
SRI. B. CHANDRA OBUL REDDY (Block Incharge (Workshop))
SMT. K. RAJESWAR (Correspondent Secretary, Trustee)
SRI. K. MAJAN MOHAN REDDY (Vice-Chairman)
SRI. K. RAJA ARJUN REDDY (Chairman)

f @ > ksmceofficial ☎ 8143731980, 8575697569

/ksrmce.ac.in

Follow Us:



/ksrmceofficial

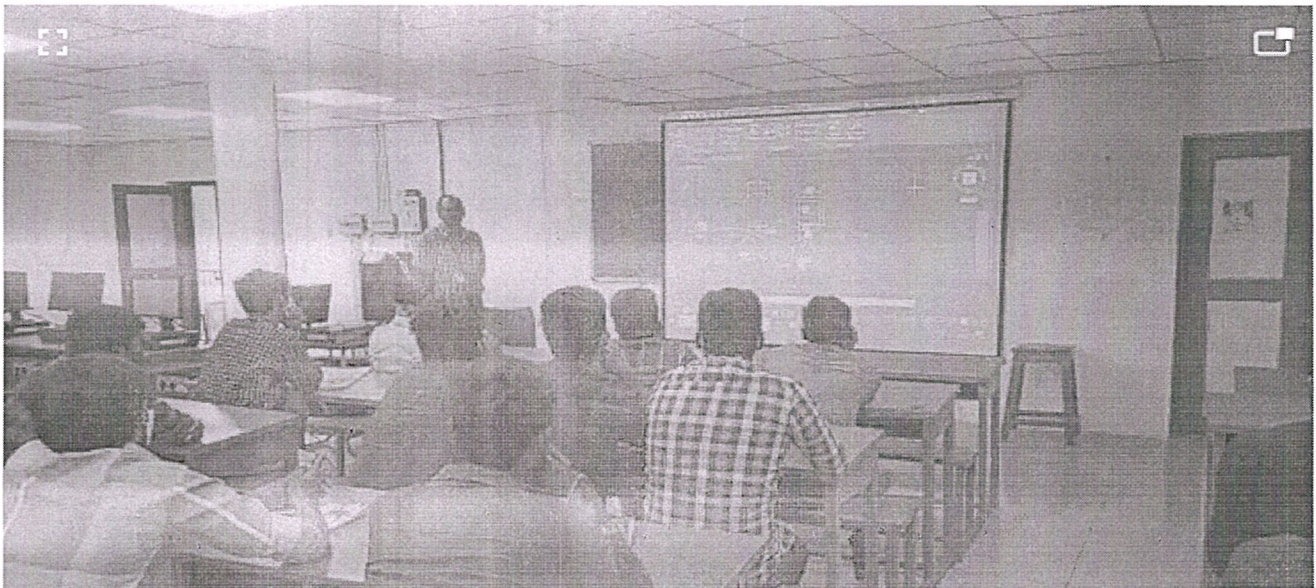


K.S.R.M. COLLEGE OF ENGINEERING (UGC-AUTONOMOUS)

Kadapa, Andhra Pradesh, India- 516 005

Approved by AICTE, New Delhi & Affiliated to JNTUA, Ananthapuramu.

An ISO 14001:2004 & 9001: 2015 Certified Institution



[/kasmce.ac.in](http://kasmce.ac.in)

Follow Us:



[/kasmceofficial](https://www.facebook.com/kasmceofficial)



K.S.R.M. COLLEGE OF ENGINEERING

(UGC-AUTONOMOUS)

Kadapa, Andhra Pradesh, India- 516 005

Approved by AICTE, New Delhi & Affiliated to JNTUA, Ananthapuramu.


An ISO 14001:2004 & 9001: 2015 Certified Institution



Sri. B. SRIHARI (Signature)
Sri. S. MAHA ROO B KHAN (Signature)
Coordinators

V. S. S. Murthy
Principal

PRINCIPAL
K.S.R.M. COLLEGE OF ENGINEERING
KADAPA - 516 003. (A.P.)

 /krmce.ac.in

Follow Us:



/krmceofficial



K.S.R.M. COLLEGE OF ENGINEERING

(UGC - Autonomous)

Kadapa, Andhra Pradesh, India- 516 003

Approved by AICTE, New Delhi & Affiliated to JNTUA, Ananthapuramu.

DEPARTMENT OF MECHANICAL ENGINEERING



KSNR
lives on.

Student Registration form

AUTO CAD HAKATHON ON 17th SEP. & 18th SEP 2021

S.NO	REG. .NO.	NAME	STUDENTS SIGNATURE
1.	199Y5A0303	A. Arshah Babu	A. Arshah Babu
2.	189Y1A0366	S. Lingamaiah	S. Lingamaiah
3.	199Y5A0307	C. Sreerivasulu	C. Sreerivasulu
4.	199Y5A0309	G. VEERA PRASAD	G. Veera Prasad
5.	199Y5A0341	V. Sreekanth Reddy	V.S. Reddy
6.	199Y5A0321	M. Sai Teja	M. Sai Teja
7.	199Y5A0315	K. Sivaram Naik	K. Sivaram Naik
8.	199Y5A0340	V.M.D. Pramod Raju	V.M.D. Pramod Raju
9.	199Y5A0308	CH. Amarendra Kumar	CH. Amarendra Kumar
10.	199Y5A0337	S. Mahaboub Babu	S. Mahaboub Babu
11.	199Y5A0216	K. Venkatesh	K. Venkatesh
12.	199Y5A0338	S. Shekshavali	S. Shekshavali
13.	199Y5A0332	P. Sasi Kant Reddy.	P. Sasi Kant Reddy.
14.	199Y5A0333	R. Anand Reddy	R. Anand Reddy
15.	199Y5A0312	J. Subhan	J. Subhan
16.	209Y5A0325	M. Chennakesava Reddy	M. Chennakesava Reddy
17.	209Y5A0308	D. Srinivasulu	D. Srinivasulu
18.	209Y5A0321	L. Bhushan	L. Bhushan
19.	209Y5A0344	Y. Ashok	Y. Ashok
20.	209Y5A0323	M. Bharath Reddy	M. Bharath Reddy
21.	209Y5A0311	G. Dilip Kumar	G. Dilip Kumar
22.	209Y5A0346	Y. Veenu	Y. Veenu
23.	209Y5A0329	P. Adil Narayana	P. Adil Narayana
24.	209Y5A0340	T. Lakshmana	T. Lakshmana
25.	209Y5A0316	K. Upendra Reddy	K. U. Reddy
26.	209Y5A0319	L. Sudhakar	L. Sudhakar
27.	209Y5A0342	V. Sravan Kumar	V. Sravan Kumar
28.	209Y5A0330	P. Madhu Sudhan	P. Madhu Sudhan
29.	209Y5A0345	Y. Shakti Kiran Reddy	Y. Shakti Kiran Reddy
30.	209Y5A0326	N. Pavan Kumar	N. Pavan Kumar
31.	209Y5A0331	P. Hari Vardhan Reddy	P. Hari Vardhan Reddy
32.	209Y5A0306	C. Subbarayudu	C. Subbarayudu



K.S.R.M. COLLEGE OF ENGINEERING

(UGC - Autonomous)

Kadapa, Andhra Pradesh, India- 516 003

Approved by AICTE, New Delhi & Affiliated to JNTUA, Ananthapuramu.

DEPARTMENT OF MECHANICAL ENGINEERING



KSNR
lives on..

S.NO	REG. .NO.	NAME	STUDENTS SIGNATURE
33.	209Y5A0338	S. Yed - Farooq	S. Farooq
34.	209Y5A0339	S. Samiuddin	S. Sami
35.	209Y5A0302	B. Nagashiva	B. Nag
36.	209Y5A0334	S. Mahammad Ali	S. Sami
37.	209Y5A0336	S. Maz Ahamed	S. Maz
38.	209Y5A0343	Y. Hemanth Kumar	Y. Hemanth Kumar
39.	209Y5A0311	G. charan kumar reddy.	G. charan kumar reddy.
40.	209Y5A0332	P. Nazeeq Basha	P. Nazeeq Basha
41.	209Y5A0314	J. dulesu.	J. dulesu.
42.			
43.			
44.			
45.			
46.			
47.			
48.			
49.			
50.			
51.			
52.			
53.			
54.			
55.			
56.			
57.			
58.			
59.			
60.			
61.			
62.			
63.			
64.			



K.S.R.M. COLLEGE OF ENGINEERING

(UGC-AUTONOMOUS)

Kadapa, Andhra Pradesh, India- 516 005

Approved by AICTE, New Delhi & Affiliated to JNTUA, Ananthapuramu.

An ISO 14001:2004 & 9001: 2015 Certified Institution



KSNR
lives on..

List of participants

S.NO	REG.NO	NAME	FN	AN
1	1994SA0283	A. Mahesh babu	✓	✓
2	18941A0366	S. Lingamach	✓	✓
3	1994SA0307	C. Sreenivasulu	✓	✓
4	1994SA0309	G. Veega Prasad	✓	✓
5	1994SA0341	V. Sreelaksh Reddy	✓	✓
6	1994SA0321	M. Sai Teja	✓	✓
7	1994SA0315	V.M.D. Pramod Raju	✓	✓
8	1994SA0308	C.H. Amarendra	✓	✓
9	1994SA0387	S. Mahesh Babu	✓	✓
10	1994SA0316	K. Venkatesh	✓	✓
11	1994SA0340	K. Sri Ram Naidu	✓	✓
12	1994SA0338	S. Sheela Velli	✓	✓
13	1994SA0332	P. Sasi Kanth Reddy	✓	✓
14	1994SA0333	R. Anand Reddy	✓	✓
15	1994SA0312	J. Sobhan	✓	✓
16	2094SA0325	M. Chennakesava Reddy	✓	✓
17	2094SA0308	D. Srinivasulu	✓	✓
18	2094SA0311	C. Bhushan	✓	✓
19	2094SA0344	Y. Ashok	✓	✓



/ksrmce.ac.in

Follow Us:



/ksrmceofficial



K.S.R.M. COLLEGE OF ENGINEERING (UGC-AUTONOMOUS)

Kadapa, Andhra Pradesh, India- 516 005

Approved by AICTE, New Delhi & Affiliated to JNTUA, Ananthapuramu.

An ISO 14001:2004 & 9001: 2015 Certified Institution



List of participants

S.NO	REG.NO	NAME	FN	AN
20	20945A0323	M. Bharath Reddy	✓	✓
21	20945A0312	G. Dilip Kumar	✓	✓
22	20945A0346	Y. Venu	✓	✓
23	20945A0329	P. Adinarayana	✓	✓
24	20945A0340	T. Lalshimanna	✓	✓
25	20945A0316	K. Upendra Reddy	✓	✓
26	20945A0319	L. Sudharshan	✓	✓
27	20945A0342	V. Sravan Kumar	✓	✓
28	20945A0330	P. Madhu Sudhan	✓	✓
29	20945A0345	Y. Shashikiran Reddy	✓	✓
30	20945A0326	P. Pavan Kumar	✓	✓
31	20945A0331	P. Harivardhan Reddy	✓	✓
32	20945A0306	C. Subbarayudu.	✓	✓
33	20945A0338	S. Yael. Farooq	✓	✓
34	20945A0339	S. Samiruddin	✓	✓
35	20945A0302	B. Nagasiva	✓	✓
36	20945A0334	S. Mahammad Ali	✓	✓
37	20945A0336	S. Maq Ahmed	✓	✓
38	20945A0343	Y. Hemant Kumar	✓	✓

K.S.R.M. COLLEGE OF ENGINEERING
(UGC-AUTONOMOUS)
DEPARTMENT OF ,MECHANICAL ENGINEERING

AUTOCAD HAKATHON

Detailed Schedule for a Total 10 Hrs Course

S.No	Date	Topic	No of Hours
Module-1			
1	17-9-2021 F.N	Outline of course. Overview of the AUTOCAD User Interface and suggested settings. Drawing Templates and Sheet Formats : Default Drawing Templates, Sheet Format and Sheet Size, Sketch Entities – Inference line, Centerline line, Line, Circle, Arc, Ellipse, Rectangle, Slots, Polygon, Parabola, Ellipse, Partial Ellipse, Spline, Spline tools, Spline on surface, Equation driven curve, Points, Text, Construction geometry, Snap, grid, Exercises	2 Hrs
2	17-9-2021 A.N	Sketch Tools - Fillet, Chamfer, Offset, Convert entities. Intersection curve, Face curve, Trim, Extend, Split, Jog Line, Construction Geometry, Mirror, Dynamic Mirror, Move, Copy, Rotate, Scale, Stretch, Sketch pattern , Polygon, Make path, Close Sketch To Model, Sketch picture, Check Sketch for Feature, Area hatch/Fill Dimensioning - Smart, Horizontal, Vertical, Ordinate, Horizontal ordinate, Vertical ordinate, Align ordinate, Fully define sketch. Sketch Diagnosis, Sketch Xpert, 3D Sketching, Rapid Sketch Exercises	2Hrs
3	17-9-2021 A.N	Exercises on 2D Sketches	2Hrs

Module-2			
4	18-9-2021 F.N	3D Modeling Tools Creating reference planes Creating Extrude features – Direction1, Direction2, From option, Thin feature, Applying draft, Selecting contours Creating Revolve features – Selecting Axis, Thin features, Selecting contours Creating Swept features-Selecting, Profile and Path, Orientation/twist type, Path Alignment, Guide Curves, Start/End tangency, Thin feature Exercises	3Hrs
5	18-9-2021 A.N	Exercises on 3D modelling	3 Hrs
Total Hours			12 Hrs


HOD

Course Coordinators and Resource Persons

Sri B.SRIHARI



Sri S.MAHABOOB KHAN



K.S.R.M. COLLEGE OF ENGINEERING
(UGC-AUTONOMOUS)
DEPARTMENT OF ,MECHANICAL ENGINEERING

AUTO CAD HAKATHON

Course objective: To Acquire Basic Knowledge in AUTO CAD works to Model any Design

Module-1

5 Hrs

Sketching: Outline of course, Overview of the Auto CAD, Works User Interface and suggested settings. Drawing Templates and Sheet Formats : Default Drawing Templates, Sheet Format and Sheet Size, New SolidWorks Document, Sheet Format/Size .Drawing Sheet Size and Format. Draw tools, Editing Tool

Sketch Entities – Inference line, Centerline line, Line, Circle, Arc, Ellipse, Rectangle, Slots, Polygon, Parábola, Ellipse, Partial Ellipse, Spline, Spline tools, Spline on surface, Equation driven curve, Points, Text, Construction geometry, Snap, grid,

Sketch Tools - Fillet, Chamfer, Offset, Convert entities, Intersection curve, Face curve, Trim, Extend, Split, Jog Line, Construction Geometry, Mirror, Dynamic Mirror, Move, Copy, Rotate, Scale, Stretch, Sketch pattern , Polygon, Make path, Close Sketch To Model, Sketch picture, Check Sketch for Feature, Area hatch/Fill

Dimensioning - Smart, Horizontal, Vertical, Ordinate, Horizontal ordinate, Vertical ordinate, Align ordinate, Fully define sketch. Sketch Diagnosis, Sketch Xpert, 3D Sketching, Rapid Sketch

Exercises

Module-2

5Hrs

Part Modelling

Part Modeling Tools Creating reference planes Creating Extrude features – Direction1, Direction2, From option, Thin feature, Applying draft, Selecting contours Creating Revolve features – Selecting Axis, Thin features, Selecting contours Creating Swept features-Selecting, Profile and Path, Orientation/twist type, Path Alignment, Guide Curves, Start/End tangency, Thin feature

Creating Loft features – Selecting Profiles, Guide curves, Start/End Constraints, Centerline parameters, Sketch tools, Close loft. Selecting geometries – Selection Manager, Multiple Body concepts Creating Reference - points, axis, coordinates

Creating Chamfer Creating Shell Creating Rib Creating Pattern - Linear pattern, Circular pattern, Sketch driven pattern, Curve driven pattern, Table driven pattern, Fill pattern, mirror

Exercises

Exercises

2Hrs


Course Outcomes:

After Successful completion of the course the students will be able to
CO1. Demonstrate competency with multiple drawing and modification commands in auto cad.

CO2. Create three-dimensional solid models.

CO3. Create three-dimensional assemblies incorporating multiple solid models.

CO4. Apply industry standards in the preparation of technical mechanical drawings.


HOD

Course Coordinators and Resource Persons

Sri B.SRIHARI 

Sri S.MAHABOOB KHAN 

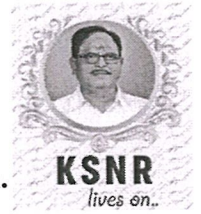


K.S.R.M. COLLEGE OF ENGINEERING (UGC-AUTONOMOUS)

Kadapa, Andhra Pradesh, India- 516 003

Approved by AICTE, New Delhi & Affiliated to JNTUA, Ananthapuramu.

An ISO 14001:2004 & 9001: 2015 Certified Institution



FEED BACK FORM FOR AUTOCAD HACKTHON

Name of the student, Roll no: -----

Year of the Study & Student Mail ID: -----

Name of the college:-----

Name of the district:-----

Name of the state:-----

How would you rate the session { }

1.Excellent 2.verygood 3.good 4.Fair

Quality and content of the talk of the speaker { }

1.Excellent 2.verygood 3.good 4.Fair

Have you reached expectations { }

1.Yes 2.No

Suggestions if any -----

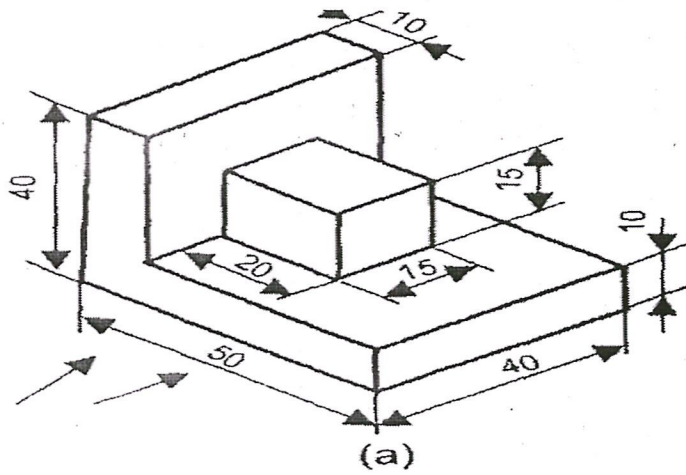
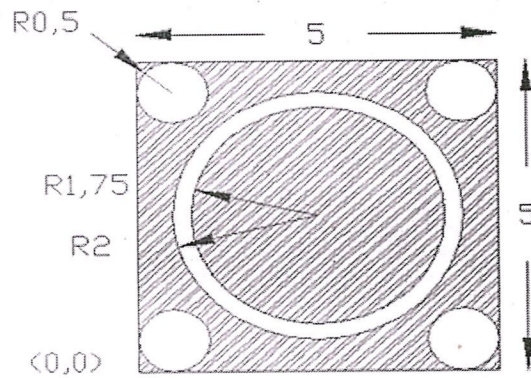
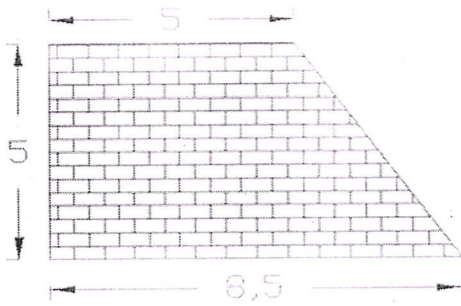
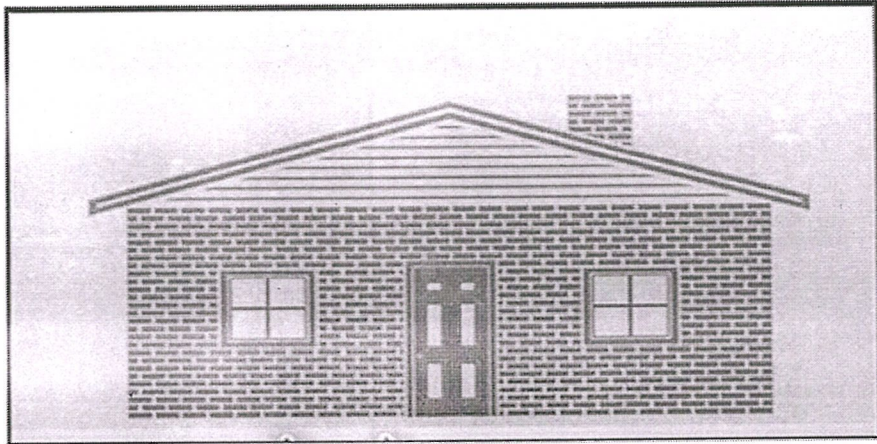
Name of the coordinators

SIG OF THE PARICIPANT

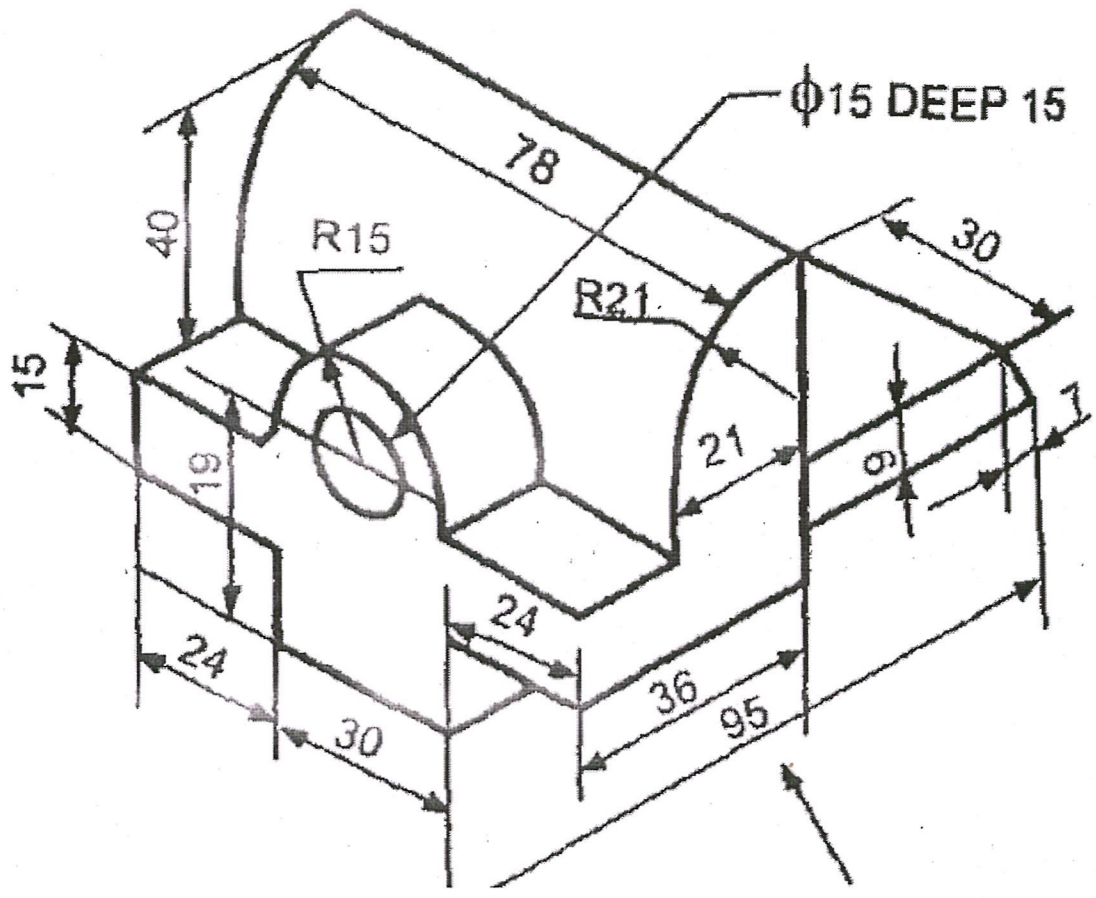
B.Srihari ASST.PROF

S.Mahaboob khan ASST.PROF

Example 1. Add hatch to the following figures:



3D EXAMPLES



Course Coordinators

Sri B.SRIHARI

Sri S.MAHABOOB KHAN

D. Subbaraj
HOD



**K.S.R.M COLLEGE OF ENGINEERING
(AUTONOMOUS)
KADAPA-516003, A.P, INDIA**

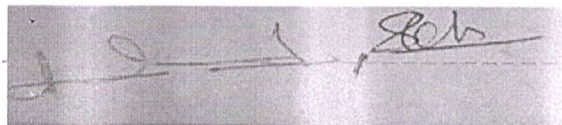


Certificate of Participation



THIS IS TO CERTIFY THAT P.ADINARAYANA (209Y5A0329) HAS PARTICIPATED IN TWO DAYS OFFLINE WORKSHOP ON 'HACKATHON ON AUTOCAD', ORGANIZED BY DEPARTMENT OF MECHANICAL ENGINEERING, K.S.R.M COLLEGE OF ENGINEERING, KADAPA FROM 17-09-2021 TO 19-09-2021

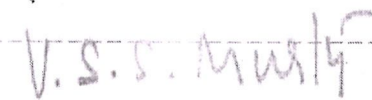
CERTIFICATE ID:MEHAC.17/18/2021-01



Sri. B. Srihari, S. Mahaboob Khan
Coordinators



Dr. D. Ravikanth
Prof & HOD



Dr. V. S. S. Murthy
Principal

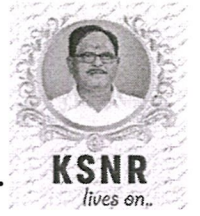


K.S.R.M. COLLEGE OF ENGINEERING (UGC-AUTONOMOUS)

Kadapa, Andhra Pradesh, India- 516 003

Approved by AICTE, New Delhi & Affiliated to JNTUA, Ananthapuramu.

An ISO 14001:2004 & 9001: 2015 Certified Institution



FEED BACK FORM FOR AUTOCAD HACKTHON

Name of the student, Roll no: S. May Ahamed , 20948A0336

Year of the Study & Student Mail ID: III Year / ahamedshaikmay@gmail.com.

Name of the college: K.S.R.M. college of engineering.

Name of the district: Kadapa.

Name of the state: Andhra Pradesh

How would you rate the session { 1 }

1. Excellent 2. verygood 3. good 4. Fair

Quality and content of the talk of the speaker { 1 }

1. Excellent 2. verygood 3. good 4. Fair

Have you reached expectations { 1 }

1. Yes 2. No

Suggestions if any Nothing

Name of the coordinators

S. May Ahamed
SIG OF THE PARTICIPANT

B. Srihari ASST. PROF

S. Mahaboob khan ASST. PROF